



Product Manual

- Installation Instructions
- Wiring Instructions

Read and follow all UL and Safety Standards before installing. Refer to the manual and qualified personnel for assistance. DO NOT install this device unless all entrapment and pinch points are eliminated.

Mounting The System:

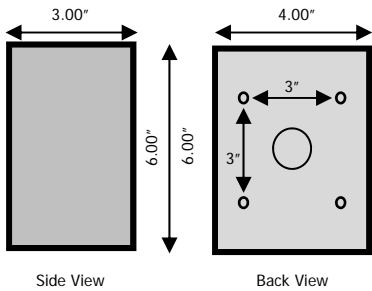
The system can be mounted on a standard pedestal or directly to a wall or flat surface. A 3/4" knockout is located on the back of the box for conduit connections. Rear mounting holes are available for mounting screws and anchors. Follow all safety warnings and precautions when mounting the system.

Pedestal Mounting:

1. Use security screws and lock nuts to securely attach the back box to a gooseneck post.
2. If the mounting holes are not used, fill the holes with a plug or sealant to prevent water from entering the box.

Wall Mounting:

1. Mount the system to a wall or flat surface. Use appropriate mounting screws or anchors to securely attach the system.
2. Never mount the system to a moving gate, gate panel, or next to a gate that causes vibration to the mounting point. Continuous vibration from moving or slamming gates can cause damage to the unit and is not covered under warranty.



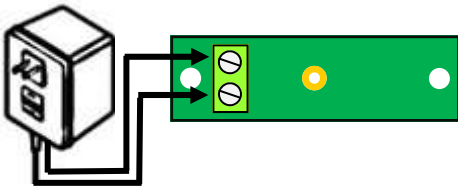
! DO NOT mount operating devices accessible through the gate or in between gate and wall.

! Mount the system at least 10 feet away from a vehicular gate and its travel.

LED LIGHT WIRING:

The FEB100-TP has a built-in LED light for night time use. The LED light is located on the top of the recessed light box. To power the LED light:

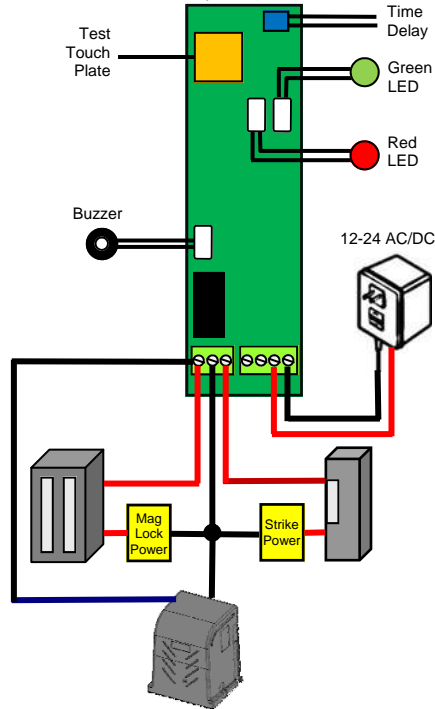
1. Connect a 12-24VAC/VDC power source to the LED Power Terminal.



BASIC WIRING OVERVIEW:

The FEB100-TP has a built-in relay to control several types of devices. To connect the FEB100-TP for basic use:

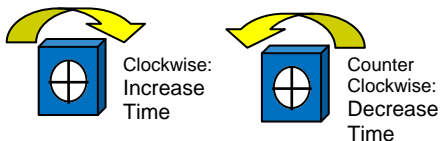
1. Connect a 12-24VAC/VDC power source to the Power Terminal. Connect the LED Light wire leads with the power source leads.
2. Connect the activation device to the Relay inputs. There are NO, NC, and C inputs.



TIME DELAY ADJUSTMENT:

Use the Time Delay Adjustment at the top of the board to adjust the length of time the relay is activated. The time delay can be set from 1 - 30 seconds. To adjust the time delay:

1. Use a small screw driver. Be careful when turning the adjustment and do not turn too hard or past the built-in stop.
2. Turn the adjustment clockwise to increase the delay.
3. Turn the adjustment counter clockwise to decrease the delay.



OPERATING INSTRUCTIONS

The FEB100-TP is very easy to use. Simply touch the metal plate and the unit will activate its built-in relay.

1. Touch the sensor plate with a finger.
2. Do not use gloves or any other material while touching the sensor plate.
3. Simply touch the sensor plate, no moving parts are needed.

SPECIFICATIONS:

Sensor design	Touch plate
Buzzer	Internal
Power LED	Red
Activation LED	Green
Time delay	1-30 seconds
Relay function	Momentary
Number of Relays	1
Relay outputs	NC, C, NO
Relay rating	3A @ 30VDC
Hinge	Stainless steel
Housing light	White LED
Mounting holes	3" x 3"
Conduit hole	3/4" knockout
Current draw	70-90mA@12VDC
	40-60mA@24VDC
Power input	12-24 VAC/VDC
Dimensions	6"H x 4"W x 3"D

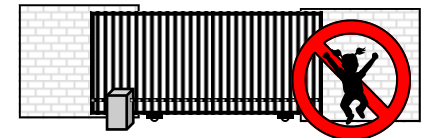
IMPORTANT USER INSTRUCTIONS:

Automatic gate systems provide user convenience and limit vehicular traffic. Because these systems can produce high levels of force, it is important that you are aware of the potential hazards associated with the system. Potential hazards may include pinch points, entrapment positions, lack of proper pedestrian access, blind spots for traffic visibility.

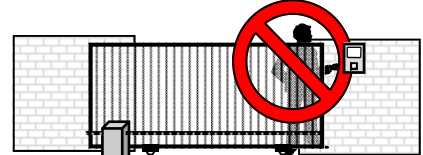
It is the joint responsibility of the designer, purchaser, installer and end user to verify the system is properly configured for its intended use. Be sure that the installer has instructed you on the proper operation of the gate and gate system before use. Be sure the installer trains you about the basic functions of the required reversing devices associated with the gate system and how to properly test them. Reversing devices may include reverse loops, sensing edges, photoelectric cells, inherent reverse detection, and/or other external devices.

RESTRICTIONS & WARNINGS:

1. A moving gate can cause serious injury or death. Read and follow all installation manuals, reference manuals, and warning label instructions.
2. Vehicular gates are for vehicles only. Pedestrians must use a separate entrance. Keep all pedestrian traffic away from any vehicular gate. **No one should cross the path of a moving gate.**
3. Never allow children to operate or play with gate controls or to play in the area of a gate system.
4. Access control devices must be placed far enough from moving gates to prevent the user from coming in contact with the gate while operating the controls.
5. All activating devices must be installed in a clear line-of-sight with the gate and its travel.
6. Activating devices must be installed a minimum of 10 feet away from the gate.
7. Outdoor or easily accessible controls shall have a security feature to prevent unauthorized use.
8. Be sure to mount all operating devices clearly out of reach of through gates.
9. **DO NOT install this device unless all potential hazards and pinch points have been eliminated.**



! DO NOT allow children to play near, on or with the gate, gate operator, or any of its controls.



! DO NOT mount operating devices accessible through the gate or in between gate and wall.